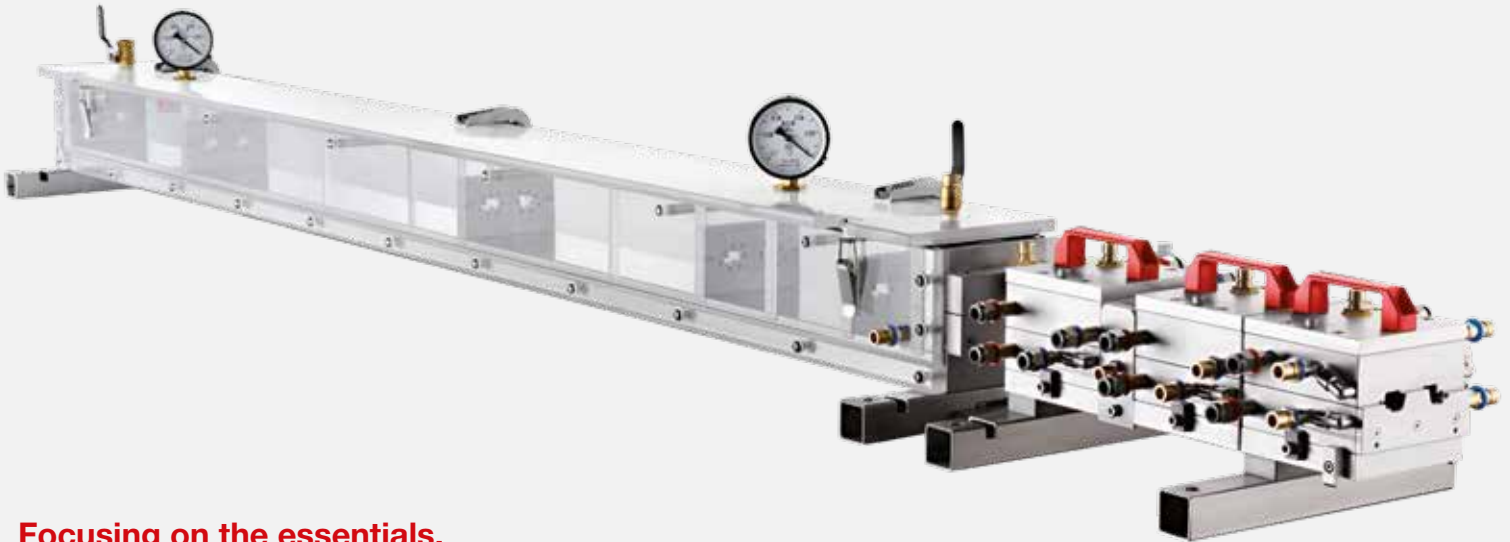


**KEEPING
YOU AHEAD
IN EXTRUSION**



Focusing on the essentials.



High Quality. Low Investment.

SILVER.TOOLING

The ideal solution for the extrusion of smaller-sized profiles.

SILVER.TOOLING

High Quality. Low Investment.

The ideal solution for the extrusion of smaller-sized profiles.

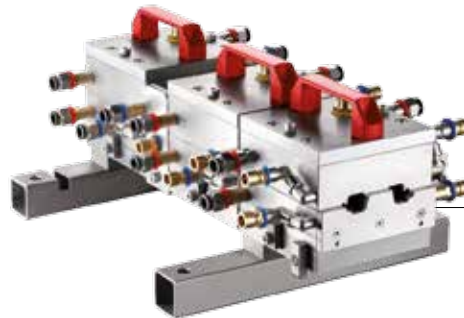
SILVER.TOOLING has specifically been designed to meet the requirements in extrusion of smaller-sized profiles, such as **glazing beads, connectors, interlocks, rods, technical profiles and many more**. SILVER.TOOLING incorporates the Greiner know-how based on more than 25,000 tooling systems designed and 40 years experience in tooling manufacture. KEEPING YOU AHEAD IN EXTRUSION.

SILVER.TOOLING die:
Comprehensive melt flow calculation
individually for every profile



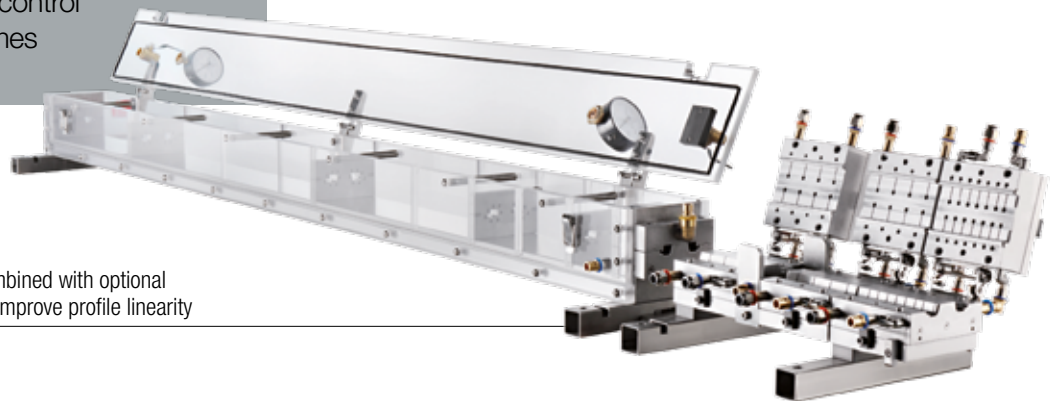
Your Benefits

- High quality at lower operating cost
- Lower capital expenditure
- Lean and space saving
- Easier and ergonomic handling
- European quality steel
- Excellent process control
- Shorter delivery times



Separated cooling
circuits and external
waxplate for easier
maintenance and extended
net operation time

Suction plate combined with optional
direct cooling to improve profile linearity



Options

- Post-Co-Extrusion
- Rectifying unit for improved profile linearity
- Gloss heating to control gloss level
- Coatable tooling design

Optional:
Post-Co-Extrusion (PCE)
Technology for in-line manufacturing
of gaskets and sealings

